



APPLICATION

The new Francis Bus Premium range of variable speed Remote Controlled Searchlights incorporate the design features required to successfully operate searchlights in the most demanding product operating environments on land and sea.

Francis Searchlights have developed and improved all remote controlled searchlights across the range still further by adding full variable speed, a new modern and sleek joystick control panel, using membrane and LED technology, offering Bus Control.

The Francis bus (FBUS) is a custom communication protocol based on RS485 two-wire bi directional communication hardware. The system provides a simple bi directional link between searchlights and control panels.

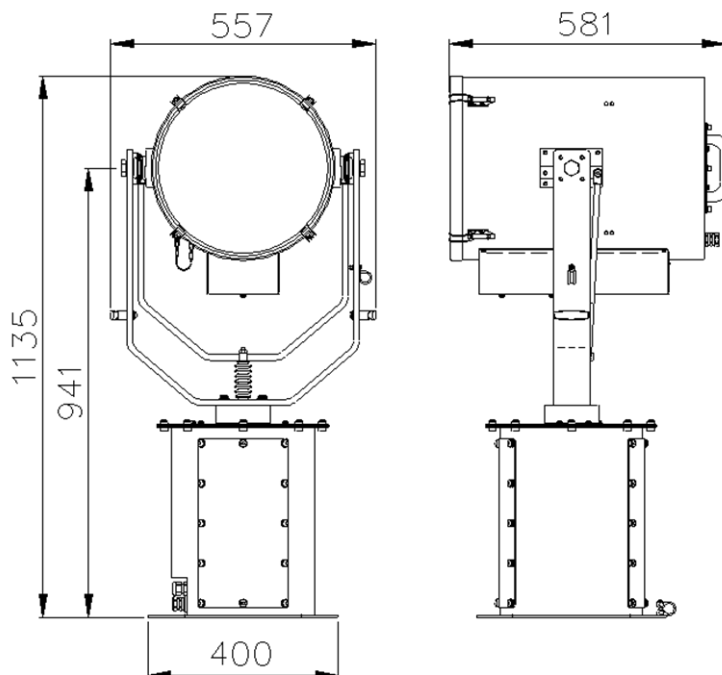
The Francis Metal Halide searchlight is strong and very well manufactured, and hence is used extensively in security applications, including border control, prisons & watch towers.

The metal halide offers a colour temperature of 6000k similar to daylight, and offers exceptional illumination, especially in polar regions and long range navigation.

SPECIFICATION

- Instant re-strike. No "cooling" down time required.
- Toughened super clear Optiwhite front glass.
- Parabolic glass reflector
- Constructed from marine grade materials and fixings
- Powder coated and stove enamel paint finish.
- Pan rotation 385°
- Tilt elevation control +30°, -35°.
- Variable speed LED joystick, with auto home position.
- RS485 connectivity. Dimmable Control Panel.
- Variable Rotation Speed 1 to 23°/sec (Pan)
- Variable Elevation Speed 1 to 8°/sec (Tilt).
- Heater fitted in gearbox & optional in barrel
- Operational temp -50°
- Remote lamp focus, 2° spot to 10° flood.
- High quality PSU 50/60 Hz 1ph
- Sealing - IP66 Gearbox, IP56 Searchlight, PSU IP66
- Searchlight weight 50 kgs,
- PSU weight 23kgs.

Francis Searchlights Limited
 Union Road, Bolton, BL2 2HJ, UK
 Tel 44 (0) 1204 558960 Fax 44 (0) 1204 558979
 Email sales@francis.co.uk Web site www.francis.co.uk



ALL DIMENSIONS IN MILLIMETRES

Base fixing details:
 4 holes 12.5 Ø equi-spaced on a 350mm PCD
 Joystick panel 120 x 120mm (106 x 106mm cutout)

PSU dimensions: 380 x 325 x 217mm

Part Numbers

Type	Supply	Watts	Part No
FH380RC	230v	1200w	A7138
1200w G38 Lamp			D15746

Optional Controls:

Program Record Function
 Computer Control Software
 Azimuth LED Control Panel
 Master Control Panel (control up to 10 Searchlights)
 Slave Control Panels (with full control)
 Fiber Optic/TCP/IP Connections

VAC	Lamp life	Range @ 1 Lux	PBCP X 1000	Div	Watts
230v	1000 hrs	5805m	33,700	2°	1200w

For more information contact: