

**FL710 Issue 5
Tungsten Halogen
Suez Canal Searchlight**



APPLICATION

The FRANCIS FL range of searchlights incorporate the design features required to successfully operate searchlights in the most demanding product operating environments on land and sea.

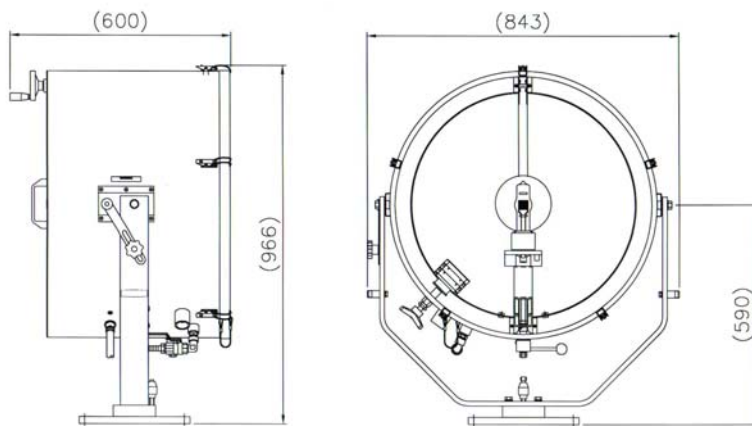
These dual purpose split or single beam Searchlights are built to the **Suez Canal Authority** Specification and are obligatory for ships passing through the canal. These Searchlights are fitted with a lamp changeover system, one operational and one spare for use in the event of failure.

DESPATCH NUMBERS

Type	Supply	Part No.
FL710 Deck	115/240v 50/60 HZ	A2703

SPECIFICATION

- Constructed from Marine grade materials and fixings.
- Stoved enamel paint finish.
- Parabolic split glass reflector.
- Sealing protection to IP56.
- Gas proofed for use on tankers.
- Fitted with a pressure relief valve and exhaust cock, for connection to a 8 metre length of flexible hose.
- Fitted with lamp changeover system, in event of lamp failure.
- Available with 2Kw or 3Kw lamps.
- External focussing wheel to permit varying beam divergences.
- Pan rotation 360°. Elevation +40° to -35°.
- Single beam 5-10°. Split beam of two 5° sections with 0-10° dark centre.
- Temperature range +50°C to -40°C.



All Dimensions in Millimetres

Base fixings

4 holes Ø12.5 on a 270 PCD.

Volts	Watts	Lamp Holder	Part No.
115v	2000w	G38	D1823
115v	3000w	G38	D9843
220v	2000w	G38	D4604
240v	2000w	G38	D1839
240v	3000w	G38	D22559

Weight 38.60 Kg
Lamp Life 400 hours

PERFORMANCE DATA

Single Beam			Split Beam					
Lamp	Vert.	P.B.C.P	Range Metres	Hor.	Vertical Angle	Centre Angle	P.B.C.P.	Range Metres
D1823	2.5°	4,945,000	2,224	5°	2.5°	0-10°	2,472,500	1,572
D9843	3°	5,796,000	2,407	5°	3°	0-10°	2,898,000	1,702
D4604	3°	3,719,000	1,928	6°	3°	0-10°	1,859,500	1,364
D1839	4°	3,718,000	1,928	6°	3°	0-10°	1,859,000	1,363
D22559	4°	4,821,000	2,196	6°	4°	0-10°	2,410,950	1,553

Francis Searchlights Limited
 Union Road, Bolton, BL2 2HJ, UK
 Tel 44 (0) 1204 558960 Fax 44 (0) 1204 558979
 Email sales@francis.co.uk Web site www.francis.co.uk

For more information contact: