



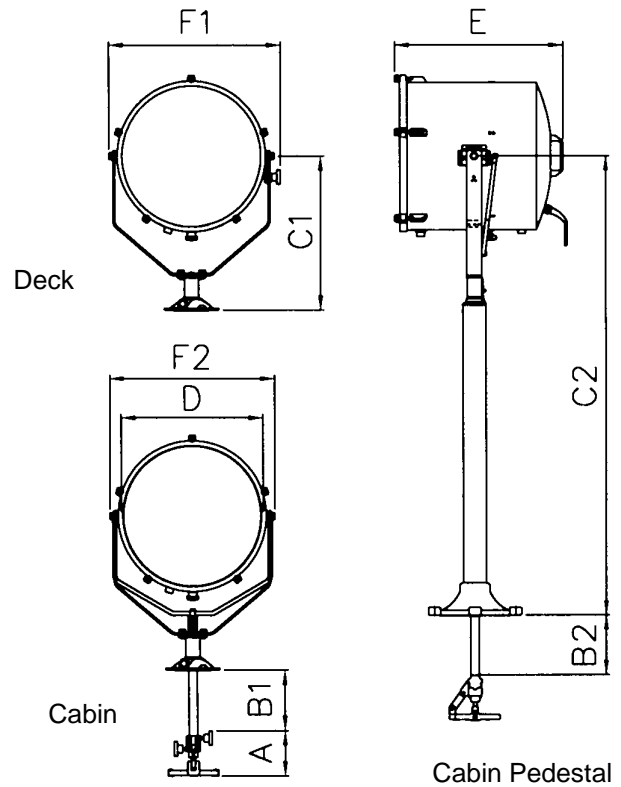
APPLICATION

The FRANCIS FR Premium range of searchlights incorporate the design features required to successfully operate searchlights in the most demanding product operating environments on land and sea.

These units are particularly suitable for use on patrol craft, custom vessels and general marine applications.

SPECIFICATION

- Toughened super clear Optiwhite front glass.
- Parabolic glass reflector
- Constructed from marine grade materials and fixings
- Powder coated and stove enamel paint finish.
- Pan rotation 450°
- Deck/Deck Ped Tilt elevation control +40° to -40°.
- Cabin/Cabin Ped Tilt elevation control +30° to -40°
- Optional Heater fitted in barrel
- Operational temp -50°
- Tungsten halogen lamp
- Light shield to prevent unwanted glare & stray light
- External lamp focus, 4.5° spot to 15° flood.
- Sealing – IP66 Searchlight
- Searchlight weight Deck 33kgs, Deck Ped 45.5Kg, Cabin 36Kgs, Cabin Ped 47.3Kgs
- Special B1/2 & C2 dimensions available on request



ALL DIMENSIONS IN MILLIMETRES

Base fixing details:

Deck & Cabin 3 holes Ø11.0 equi-spaced on a 154 PCD
Deck Ped & Cabin Ped 4 holes Ø14.5 equi-spaced on a 270 PCD,

Cabin & Cabin Ped Central Hole Ø40

Part Numbers

Type	Supply	Part No	1kw	2kw
FR480D Deck	110/240v	A2704	A2936	
FR480C Cabin	110/240v	A2705	A2937	
FR480DP Deck Ped	110/240v	A2706	A2938	
FR480CP Cabin Ped	110/240v	A2707	A2939	

Dimensions

A	B1	B2	C1	C2	D	E	F1	F2
150	185	180	500	1542	480	558	569	548

VAC	Lamp life	Range @ 1 Lux	PBCP X 1000	Div	Watts	Lamp No
120v	400 hrs	1533m	2351	6.5°	2000w	D20390
230v	400 hrs	1643m	2701	6.5°	2000w	D20236
120v	750 hrs	1440m	2073	4.5°	1000w	D1809
230v	750 hrs	1441m	2078	4.5°	1000w	D6715

For more information contact: