



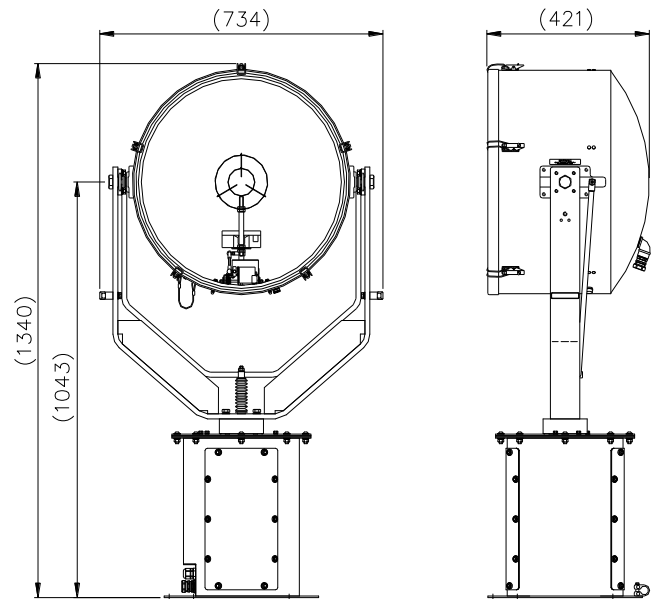
FR560RC Issue 7  
Halogen, Remote  
Control, Variable Speed

### APPLICATION

The new FR FRANCIS range of variable speed Remote Controlled Searchlights incorporate the design features required to successfully operate searchlights in the most demanding product operating environments on land and sea.

Francis Searchlights have developed and improved all remote controlled searchlights across the range still further by adding full variable speed, a new modern and sleek joystick control panel, using membrane and LED technology, offering RS485 interface and an auto home position setting, all at no extra cost.

The FR560RC Range Explorer is a high quality large sized range remote control searchlight.



### SPECIFICATION

- Tungsten Halogen light source
- Toughened front glass.
- Parabolic formed polished glass reflector
- Constructed from marine grade materials and fixings
- Powder coated and stove enamel paint finish.
- Spill rings to prevent unwanted glare and stray light
- Remote pan rotation 385° with tilt /elevation control ±40°.
- Variable speed LED joystick, with auto home position and RS485 connectivity.
- Variable Rotation Speed 1 to 20°/sec (Pan)
- Variable Elevation Speed 1 to 10°/sec (Tilt).
- Heater fitted in gearbox & optional in the barrel
- Remote lamp focus fitted as standard.
- Operational temperature -50°C
- Sealing - IP66 Gearbox, IP65 Searchlight
- Searchlight weight 60 kgs.

### ALL DIMENSIONS IN MILLIMETRES

Base fixing details:

4 holes 12.5 Ø equi-spaced on a 350mm PCD  
Joystick panel 120 x 120mm (106 x 106mm cutout)

#### Part Numbers

| Type    | Supply   | Watts | Part No | Lamp No   |
|---------|----------|-------|---------|-----------|
| FR560RC | 115/230v | 1000w | A7032   | See below |
| FR560RC | 115/230v | 2000w | A7033   | See below |

| Volts | Lamp Life | Range @ 1 Lux | PBCP X 1000 | Div  | Watts | Lamp Part No |
|-------|-----------|---------------|-------------|------|-------|--------------|
| 115v  | 750 hrs   | 1550m         | 2450        | 5°   | 1000w | D1809        |
| 115v  | 400 hrs   | 2030m         | 3900        | 5.5° | 2000w | D1823        |
| 230v  | 750 hrs   | 1550m         | 2450        | 5°   | 1000w | D6715        |
| 230v  | 400 hrs   | 2030m         | 3900        | 5.5° | 2000w | D4604        |

For more information contact:

Francis Searchlights Limited  
Union Road, Bolton, BL2 2HJ, UK  
Tel 44 (0) 1204 558960 Fax 44 (0) 1204 558979  
Email sales@francis.co.uk Web site www.francis.co.uk