



L380RC Explorer Issue 3
Halogen, Remote
Control, Variable Speed

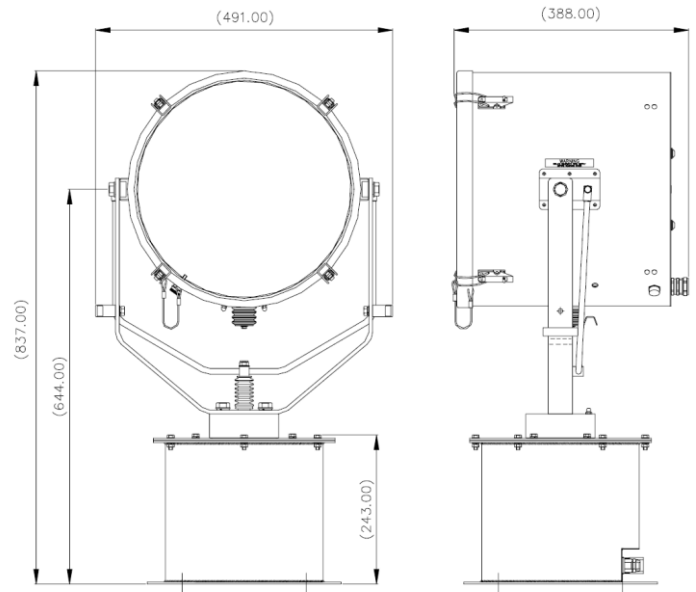


APPLICATION

The new FRANCIS EXPLORER range of variable speed Remote Controlled Searchlights incorporate the design features required to successfully operate searchlights in the most demanding product operating environments on land and sea.

Francis Searchlights have developed and improved all remote controlled searchlights across the range still further by adding full variable speed, a new modern and sleek joystick control panel, using membrane and LED technology, offering RS485 interface and an auto home position setting, all at no extra cost.

The L380RC Range Explorer is a high quality mid-sized range remote control searchlight.



SPECIFICATION

- Tungsten Halogen light source
- Toughened front glass.
- Parabolic formed aluminium reflector
- Constructed from stainless steel & marine grade materials
- Powder coated and stove enamel paint finish.
- Spill rings to prevent unwanted glare and stray light
- Remote pan rotation 385° with tilt /elevation control ±40°.
- Variable speed LED joystick, with auto home position and RS485 connectivity.
- Variable Rotation Speed 1 to 20°/sec (Pan)
- Variable Elevation Speed 1 to 10°/sec (Tilt).
- Heater fitted in gearbox & optional in the barrel
- Remote lamp focus available as an option
- Operational temperature -50°C
- Sealing - IP66 Gearbox, IP66 Searchlight
- Searchlight weight 30.4 kgs.

ALL DIMENSIONS IN MILLIMETRES

Base fixing details:

4 holes 12.5 Ø equi-spaced on a 290mm PCD

Joystick panel 120 x 120mm (106 x 106mm cutout)

Part Numbers

Type	Supply	Watts	Part No	Lamp No
L380RC	115/230v	650-1000w	A7010	See below
L380RC	24v	150-250w	A7012	See below

Volts	Lamp Life	Range @ 1 Lux	PBCP X 1000	Div	Watts	Lamp Part No
24v	300 hrs	1311m	1718	2°	150w	D14795
24v	2000 hrs	1390m	1932	2.5°	250w	D4695
24v	300 hrs	1673m	2800	3°	250w	D9851
230v	750 hrs	1114m	1240	5°	650w	D1813
115v	750 hrs	1249m	1560	6°	1000w	D1809
230v	750 hrs	1210m	1465	5°	1000w	D6715

Francis Searchlights Limited
Union Road, Bolton, BL2 2HJ, UK
Tel 44 (0) 1204 558960 Fax 44 (0) 1204 558979
Email sales@francis.co.uk Web site www.francis.co.uk

For more information contact: