



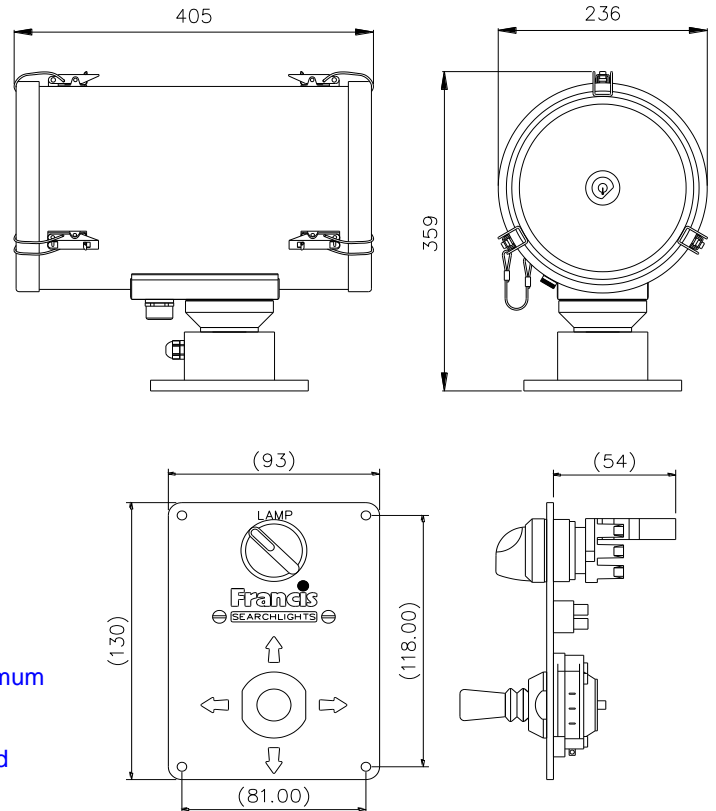
**LX230RC Issue 1**  
**Xenon 100w**  
**Remote Control**

## APPLICATION

**THE FRANCIS LX230** Remote Control searchlight is part of the high power Xenon range. Having been designed with the precise aim of bringing a low profile, high performing and cost effective solution to the market.

The LX230RC has been carefully developed to withstand the extraordinary conditions while in use in the harshest of environment, such as Patrol Craft, Coast Guard and any application that requires a compact, lightweight and high performer.

Within the Francis LX range of marine searchlights, the LX230, utilizes a 100w xenon lamp, and has been designed to give maximum beam range and candlepower, giving the ability to identify objects and potential dangers from a far greater distance. As an optional extra option, this unit is also available with infra-red night vision ensuring total covert surveillance



## SPECIFICATION

- Immediate full lamp brilliance from switch on.
- Instant re-strike. No "cooling" down time required.
- Toughened front glass.
- Parabolic super pure aluminium reflector.
- Economical 3000 hour lamp life.
- Constructed from stainless steel with stove enamel paint finish.
- Remote elevation control +20° to -20°.
- Remote pan rotation 365°.
- Pan speed : 24v version = 24°/sec 12v version= 12°/sec
- Sealing - IP66 Searchlight,
- Searchlight weight 11 Kgs
- Integral Xenon PSU and lamp fitted as standard
- Range 1761m @ 1 Lux
- Lamp pre focused to a precise spot
- Peak Beam Candle Power 3.1 million
- Optional infa red filter
- Lamp part number D25858

All dimensions in Millimeters

### BASE FIXING DETAILS:

3 HOLES 11 DIA on a 154 PCD EQUI-SPACED

Type	Supply	Watts	Part No
LX230RC	12v V	100w	A6098
LX230RC	24v V	100w	A6091

For more information contact:

**Francis Searchlights Limited**  
 Union Road, Bolton, BL2 2HJ, UK  
 Tel 44 (0) 1204 558960 Fax 44 (0) 1204 558979  
 Email sales@francis.co.uk Web site www.francis.co.uk