

EPSILON Flood Light

FEATURES

- Durable die-cast aluminum housing
- Dark Bronze, White, and Black finishes
- Narrow and Medium lighting distributions
- Yoke Mount standard, optional Slipfitter
- IP65 and IK09 rated
- Anti-corrosive finish to withstand harsh environments
- UL1598A Listed for Marine Applications
- 5 Year Warranty



APPLICATIONS

- Marine Ports & Harbors • Area Lighting • Wall Washing • Signage • Recreational

ORDERING GUIDE

SERIES	WATTAGE	BEAM ANGLE	CRI	CCT	FINISH*	VOLTAGE	OPTIONS	
FL-3	250N 25W	NN 18 DEGREE	8 ≥80	22 2200K	DB DARK BRONZE	U 100-277V	AVB ANTI-VIBRATION BRACKET	
	520N 520W			30 3000K				WHT WHITE
FL-4	1000N 1000W	M 40 DEGREE		40 4000K	BLK BLACK	H 200-480V	CBN CARBON STEEL BRACKET	
				50 5000K				
								SPF 2-3/8" SLIPFITTER

* Dark Bronze is standard finish. Consult factory for pricing and availability of other finishes.

LED SPECIFICATION			3000K		4000K		5000K		EPA*	BUG	WEIGHT (lbs.)	CERTIFICATION
MODEL	WATTS	OPTIC	LUMENS	EFFICACY	LUMENS	EFFICACY	LUMENS	EFFICACY				
FL-3250N	253	NN	28,464	113 lm/W	29,068	115 lm/W	30,280	120 lm/W	1.70	B5-U3-G0	19.18	UL
		N	28,220	112 lm/W	28,819	114 lm/W	30,021	119 lm/W				
		M	28,548	113 lm/W	29,154	115 lm/W	30,370	120 lm/W				
FL-3520N	517	NN	53,276	103 lm/W	54,407	105 lm/W	56,676	110 lm/W	2.99	B5-U3-G0	48.98	UL
		N	52,549	102 lm/W	53,664	104 lm/W	55,902	108 lm/W				
		M	49,913	97 lm/W	50,972	99 lm/W	53,098	103 lm/W				
FL-41000N	951	NN	115,802	122 lm/W	118,260	124 lm/W	123,192	130 lm/W	4.23	B5-U3-G1	97.44	UL
		N	112,967	119 lm/W	115,365	121 lm/W	120,176	126 lm/W				
		M	112,183	118 lm/W	114,564	120 lm/W	119,342	125 lm/W				

EPSILON Flood Light

SPECIFICATIONS

CONSTRUCTION

With Die-Cast Aluminum Housing, Anti-Corrosive Treatment, and Heavy-Duty Polycarbonate Lens the Epsilon Flood Light is built to withstand the toughest environments and provide crisp, clear lighting. The fixture is tightly sealed for resiliency and to prevent ingress. Industry-leading impact resistant construction keeps the fixture housing free from damage in tough, physical settings, while finned heatsinks provide optimal heat management to increase luminaire life.

INSTALLATION

Luminaire comes standard with an Aluminum Trunnion Mount bracket. 2-3/8" Aluminum Slipfitter Adapters are available, giving the fixture a wide range of mounting styles. Carbon Steel and Anti-Vibration Trunnion Mount Brackets are available for more demanding installation locations. Luminaires can be horizontally rotated more than 180°.

WARRANTY

All Delta Flood Lights products come with a limited Five (5) Year Warranty. For more information regarding the warranty please contact the factory at (844) 202-5606 or email Customer Service at LEDCustService@dascom.com.

ELECTRICAL

Luminaire is paired with a high performance 100-277V AC driver. A high-voltage driver is available for all models. 50/60 Hz. Power Factor >.9 with THD <.2. A minimum CRI of 80 is standard in 3000K, 4000K, and 5000K color temperatures. All Epsilon Flood Lights are Non-Dimmable.

OPTICS

Three different beam angles are available from Narrow to Medium distributions. 18°, 28°, and 40° options throw light far while maintaining a focused beam.

CERTIFICATIONS and LISTINGS

UL certified to U.S., Canadian, and European standards; 1598 (Luminaire) and 1598A (Installation on Marine Vessels). Suitable for Wet Locations. Suitable for Natatoriums. IP65 and IK09 Rated. Ambient Operating Temperature: -25°C ~ +45°C / -13°F ~ +113°F

EPSILON Flood Light

OPTIONS

AVB - ANTI-VIBRATION BRACKET

Anti-Vibration Bracket available for all Epsilon Flood Light models.. Exceptionally durable steel bracket with rubber-bushings guarantee quality performance in robust installations such as crane and bridge lighting.



CBN - CARBON STEEL BRACKET

Carbon Steel Bracket available for all Epsilon Flood Light models. Heavy duty bracket ensures top durability in any application.



SPF - 2-3/8" SLIPFITTER

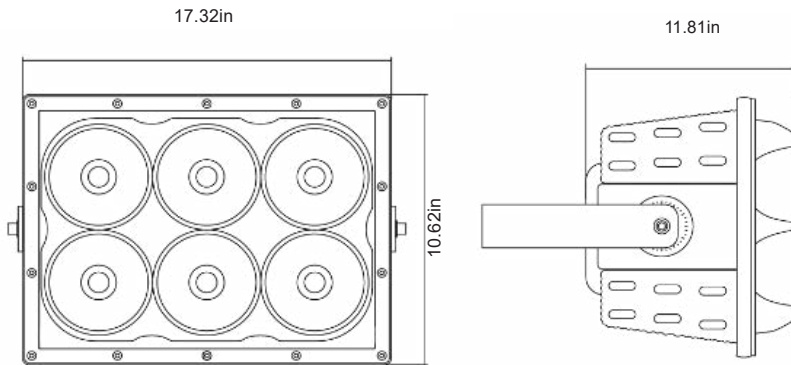
2-3/8" Slipfitter available for all Epsilon Flood Light models. Slipfitter adapter helps mount flood light to a broad range of poles and tenons.



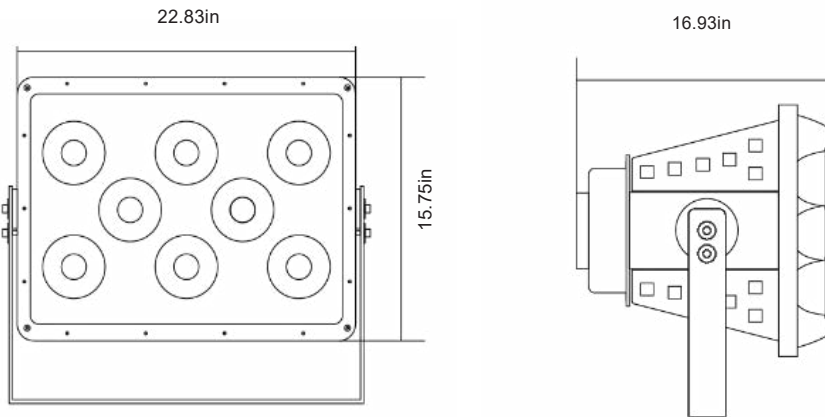
EPSILON Flood Light

DIMENSIONAL DRAWINGS

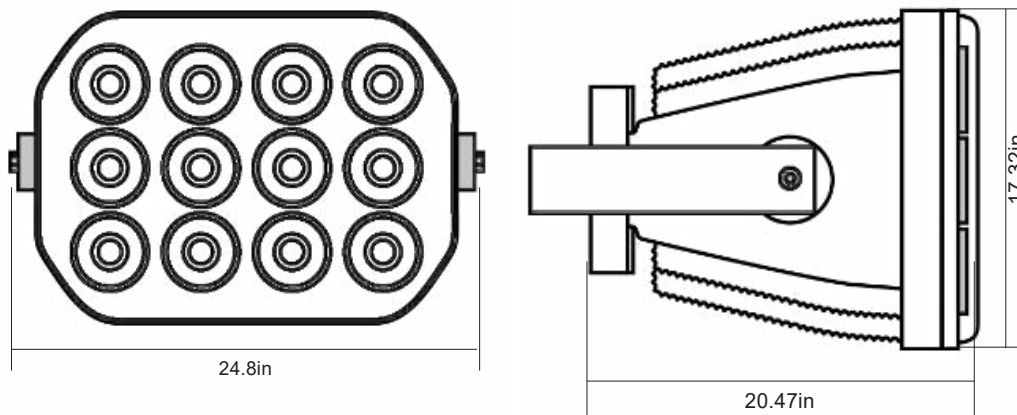
FL-3250N



FL-3520N



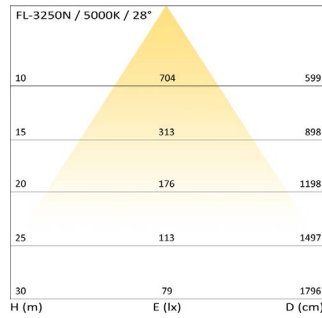
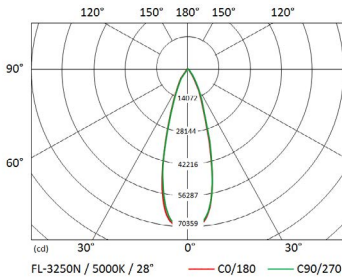
FL-41000N



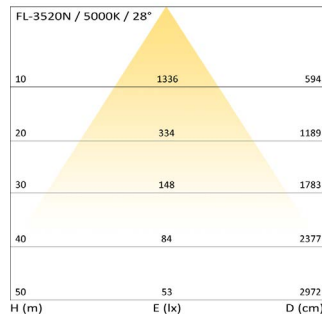
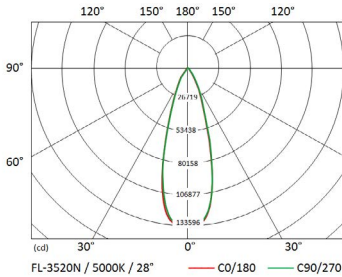
EPSILON Flood Light

PHOTOMETRICS

FL-3250N



FL-3520N



FL-41000N

