

## Hazardous Location Flood Light

### FEATURES

- Vibration-proof durable die-cast aluminum housing
- Wide lighting distribution
- Tempered Glass Lens to protect internal components.
- Yoke Mount, Slipfitter, Wall Mount, Pendant Mount Options
- IP66 and IK10 rated
- Anti-corrosive finish to withstand harsh environments
- UL1598A Listed for Marine Applications
- UL844 Listed for Hazardous Locations
- 5 Year Warranty



### APPLICATIONS

- Chemical Plants • Gas Storage • Painting Booths • Refineries

### ORDERING GUIDE

SERIES	WATTAGE	BEAM ANGLE	GRI	CCT	FINISH	VOLTAGE	OPTIONS <sup>1</sup>
EX-6	060 60W 100A 100W 100 100W 100X 100W 150 150W 150X 150W 200A 200W 200 200W	WW 120 DEGREE	7 ≥73	40' 4000K 50 5000K	GRY GRAY	U 100-277V H <sup>1</sup> 200-480V	UB TRUNNION MOUNT BRACKET WA WALL ARM MOUNT WAP WALL ARM MOUNT w/ POLE STANCHION 25D 25 DEGREE POLE STANCHION PND PENDANT MOUNT SPF 2-3/8" SLIPFITTER

<sup>1</sup> Not available for EX-6100A & EX-6200A models.

LED SPECIFICATION			4000K		5000K		EPA*	BUG	WEIGHT (lbs.)	C1 D1	C1 D2	C2 D1	C2 D2	C3
MODEL	WATTS	OPTIC	LUMENS	EFFICACY	LUMENS	EFFICACY								
EX-6060	60	WW	7,980	133 lm/W	8,400	140 lm/W	0.98	B3-U1-G0	15.21		X	X	X	X
EX-6100A	100	WW	-	-	13,000	130 lm/W	1.16	B3-U1-G1	39.46		X			
EX-6100	100	WW	13,300	133 lm/W	14,000	140 lm/W	0.98	B3-U1-G1	39.46		X	X	X	X
EX-6100X	100	WW	13,300	133 lm/W	14,000	140 lm/W	1.47	B3-U1-G1	39.46	X	X	X	X	X
EX-6150	150	WW	19,950	133 lm/W	21,000	140 lm/W	1.13	B4-U1-G1	39.46		X	X	X	X
EX-6150X	150	WW	19,950	133 lm/W	21,000	140 lm/W	1.47	B4-U1-G1	39.46	X	X	X	X	X
EX-6200A	200	WW	-	-	26,000	130 lm/W	2.05	B4-U2-G2	39.46		X			
EX-6200	200	WW	26,600	133 lm/W	28,000	140 lm/W	1.47	B4-U2-G2	39.46		X	X	X	X

\* EPA Ratings listed assume fixture is mounted horizontally. EPA rating will vary based on mounting angle.

# Hazardous Location Flood Light

## SPECIFICATIONS

### CONSTRUCTION

Vibration-proof, durable die-cast aluminum housing with Tempered Glass Lens to protect internal components. The luminaire is sealed with resilient gasketing to prevent ingress. Optimal heat management ensures a longer luminaire life.

### ELECTRICAL

Luminaire is paired with a high performance 100-277V AC driver. A high-voltage driver is available for all models EXCEPT for the EX-6000A models. 50/60 Hz. Power Factor >.9 with THD <.2. A minimum CRI of 73 is provided in 4000K, and 5000K color temperatures. All Hazardous Location Flood Lights are Non-Dimmable.

### INSTALLATION

All Hazardous Location Flood Lights come with a rotatable trunnion mount. Additional mounting options include Pole Stanchions, Wall Mounts, Pendant Mounts, and Slipfitters. Luminaires are mounted using the adjustable trunnion mount bracket or with a rigid pipe connecting to the 3/4" hub on the back of the unit. Wiring is fed through the rigid pipe to a junction box and tied into the luminaire's wiring.

### OPTICS

Standard 120° beam angle for all models for an even distribution of light.

### WARRANTY

All Hazardous Location Flood Light products come with a limited Five (5) Year Warranty. For more information regarding the warranty please contact the factory at (844) 202-5606 or email Customer Service at LEDCustService@dascom.com.

### CERTIFICATIONS

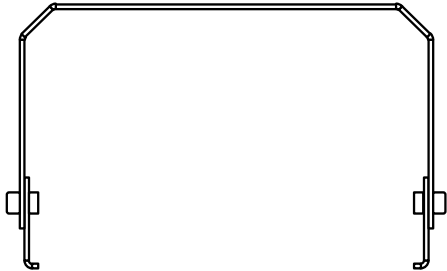
UL certified to U.S., Canadian, and European standards;  
1598 (Luminaire)  
1598A (Installation on Marine Vessels)  
844 (Installation in Hazardous Locations).  
Refer to the table on Page 1 to see specific Class/Div Ratings  
Suitable for Wet Locations.  
IP66 and IK10 Rated.  
Ambient Operating Temperature: -40°C ~ +50°C / -40°F ~ +122°F.

## Hazardous Location Flood Light

### OPTIONS

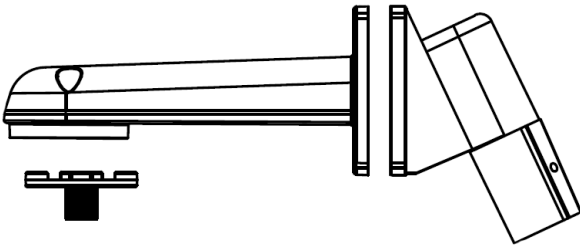
#### UB - TRUNNION MOUNT

Rotatable Trunnion Mount comes standard on all models.



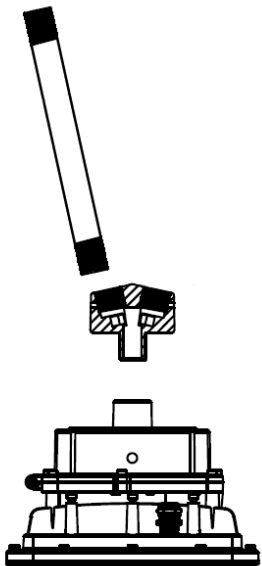
#### 25D - 25 DEGREE POLE

Wall Arm with Pole Stanchion Adapter at a fixed 25 degree angle.



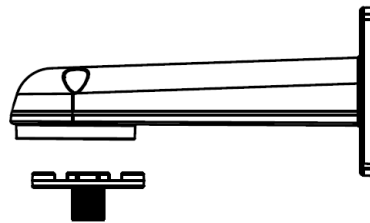
#### PND - PENDANT MOUNT

12 degree rigid pendant mount pipe.



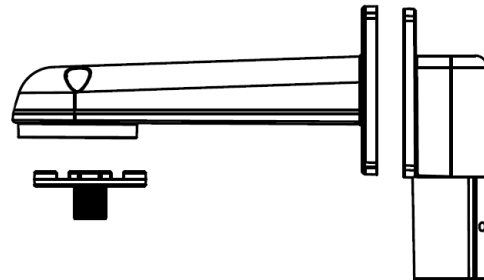
#### WA - WALL ARM MOUNT

Option allows the Flood Light to be mounted to any wall.



#### WAP - WALL ARM MOUNT with POLE

Wall Arm with Pole Stanchion Adapter.



#### SPF - 2-3/8" SLIPFITTER

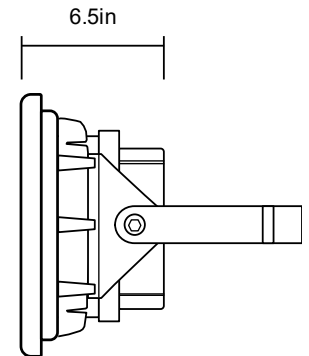
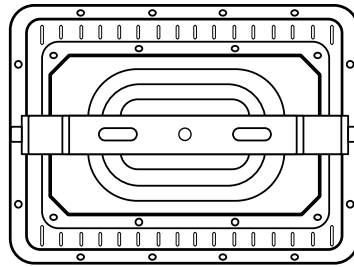
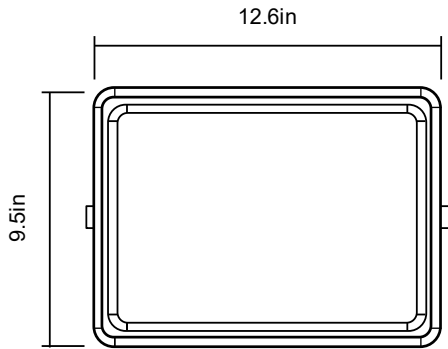
2-3/8" Slipfitter available for all Flood Light models. Slipfitter adapter helps mount flood light to a broad range of poles and tenons.



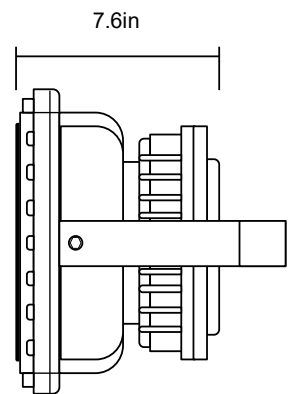
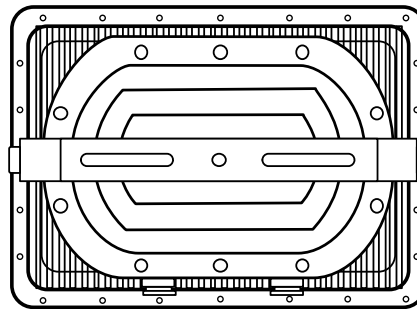
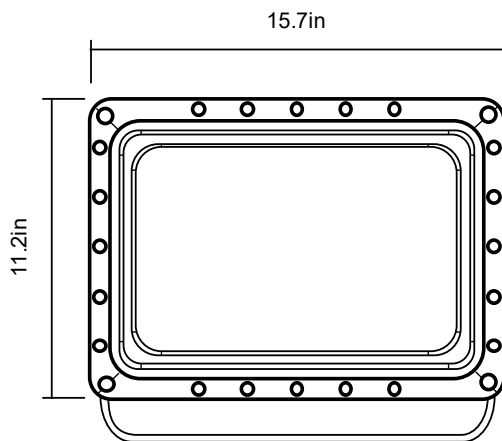
# Hazardous Location Flood Light

## DIMENSIONAL DRAWINGS

### STANDARD MODEL



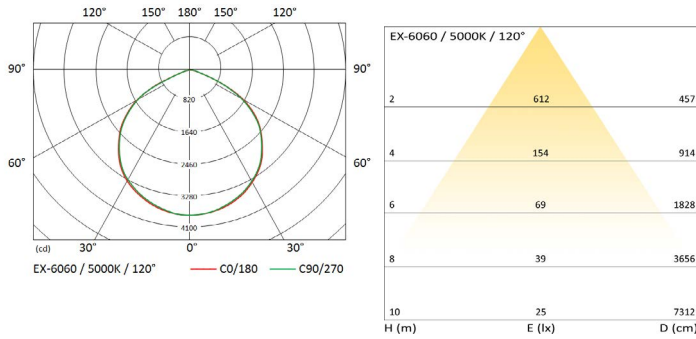
### "X" SERIES



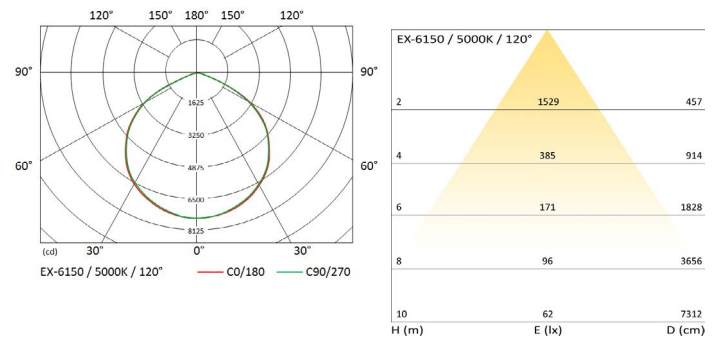
# Hazardous Location Flood Light

## PHOTOMETRICS

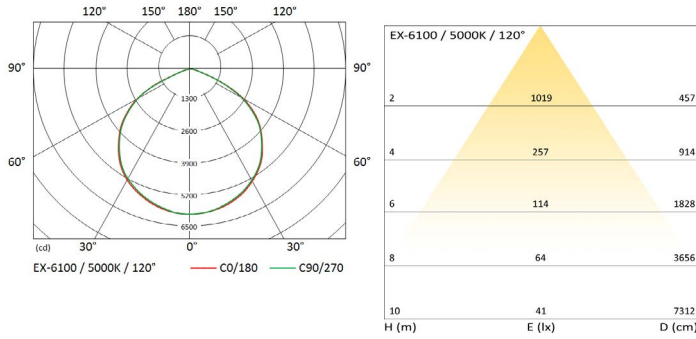
**EX-6060**



**EX-6150**



**EX-6100**



**EX-6200**

