

# EXPLOSION PROOF LED LUMINAIRE, SURFACE MOUNTING, FOR ZONE 1, 2, 21 & 22

# EX92



2



EXPLOSION PROOF LED LUMINAIRE,  
SURFACE MOUNTING, FOR ZONE 1, 2, 21 & 22

<b>Design</b>	According to rules of maritime classification societies and relevant standards
<b>Ex marking</b>	II 2G Ex db eb mb op is IIC T4 Gb II 2D Ex tb IIIC T80°C Db
<b>Housing</b>	Reinforced polyester
<b>Cover</b>	Clear polycarbonate, impact proof
<b>Mounting</b>	2 screw threads M8
<b>Cable entry</b>	4x M20 metal threads with blind plugs (cable glands not included)
<b>Protection class</b>	IP66/67
<b>ta</b>	-25°C...+55°C
<b>Weight</b>	S: 7,2 kg / L: 11,1 kg
<b>Light source</b>	Linear LED modules
<b>Wattage</b>	S: 2x 13 W / L: 2x 26 W
<b>CCT (color)</b>	4,000 K
<b>Luminous flux</b>	S: 2565 lm / L: 5085 lm
<b>CRI</b>	≥ 80
<b>Voltage</b>	110-240 V AC
<b>Frequency</b>	50-60 Hz

## PART NO.

EX92 2x 13 W	5108003510-001
EX92 2x 26 W	5108003910-001

## SPARE PARTS

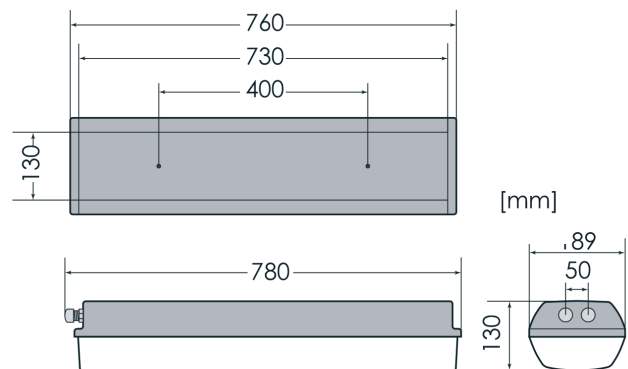
## PART NO.

Clear cover (2x 13 W)	7112005500
Clear cover (2x 26 W)	7112005600

## EXTRAS

- > Different fixing systems
- > Emergency battery back-up

2x 13 W



2x 26 W

