



PART NO.

TL Vario M

5145000500-xxx

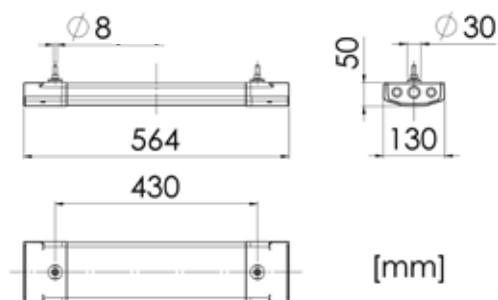
★ EXTRAS

- > Battery backup unit
- > Customized mounting brackets
- > Shock proof execution
- > Additional red or green light
- > Through wiring
- > Different cable glands
- > Different supply voltages



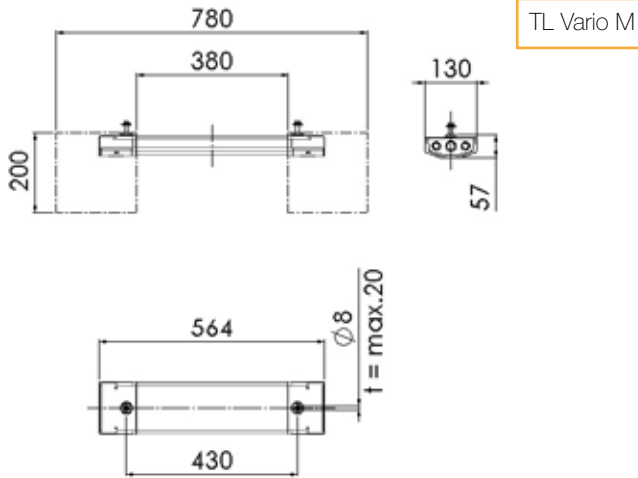
MULTIPURPOSE WATERTIGHT LUMINAIRE FOR
ENGINE ROOMS, WORK SHOPS, STORES,
PASSAGE WAYS AND OUTDOOR AREAS

Design	According to rules of maritime classification societies and relevant standards
Housing/ cover	Opal polycarbonate, impact-proof, UV-resistant
Mounting	Different systems available, see on page 32
Cable entry	Max. 4 cable glands M20, max. 2 cable glands M25
Protection class	IP66/67
Weight	1.9 kg
Light source	Linear LP LED modules
Wattage	Max. 20 W
CCT (color)	4,000 K or 3,000 K
Luminous flux	2,200 lm
CRI	≥ 80
Voltage	220-240 V AC
Frequency	50-60 Hz



MULTIPURPOSE WATERTIGHT LED LUMINAIRE

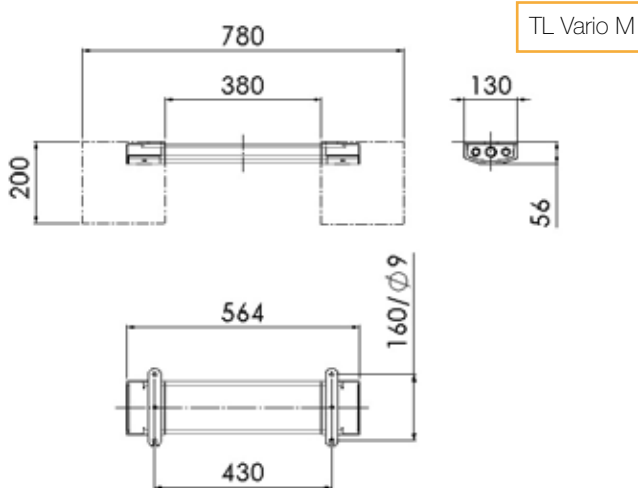
Type: Bolt kit 8 mm



Type: Bolt kit 8 mm



Type: LP160



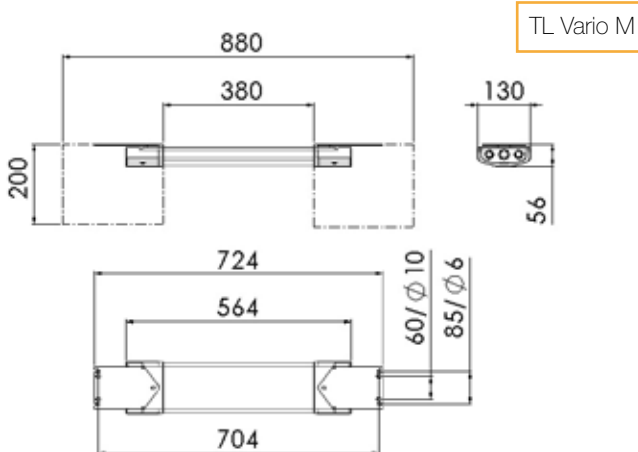
Type: LP160



Type: LP 200



Type: LP GL



Type: LP GL

